

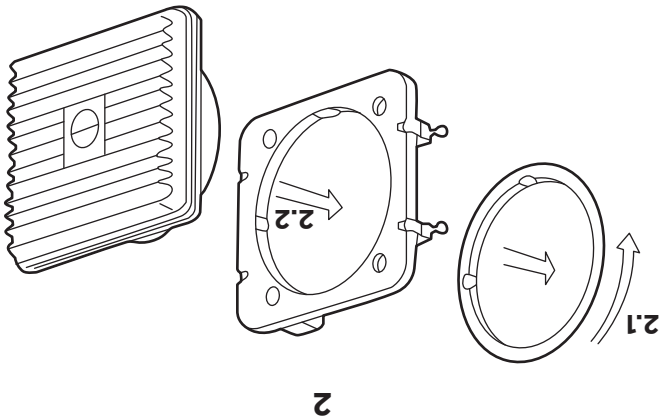
**VENTILOR 20/8 M - 20/8 AR  
VENTILOR 25/10 AR**

OPTIONAL/MODEL	20/8 M	20/8 AR	25/10 AR
WALL FIXING KIT	0019100		
DOUBLE GLAZING WINDOW KIT	0080400	0080500	
RG 5 AR	/	0031500	

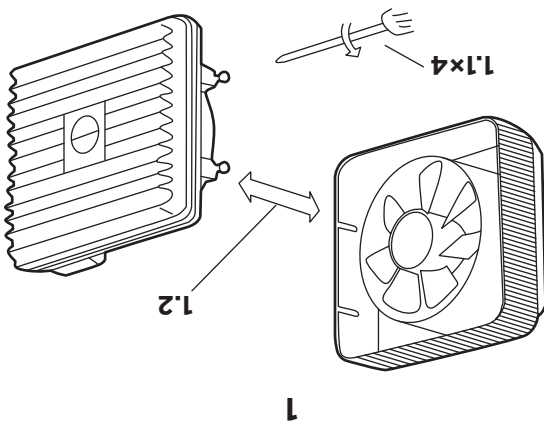
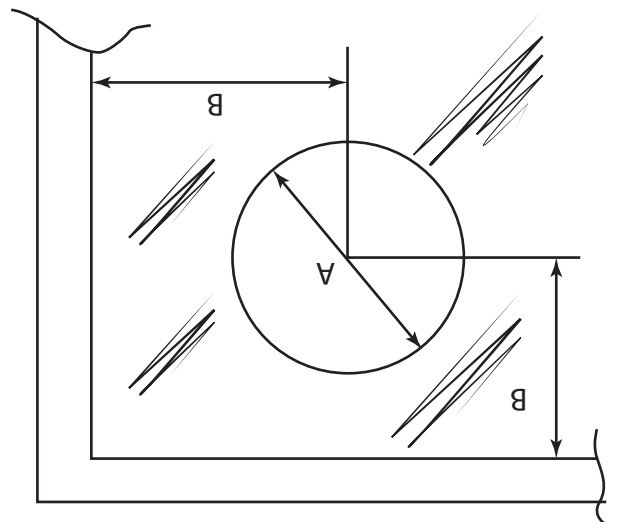
EP S.p.A.  
Via Del Commercio 1, 25039 - Travagliato (BS) Italy  
tel. +39 030 68 62 341 - fax +39 030 68 62 051  
www.oerre.it - vendite@oerre.it

IT INSTALLAZIONE  
EN INSTALLATION  
FR INSTALLATION  
DE MONTAGEANLEITUNG

NL INSTALLATIE  
DA INSTALLATION  
ES INSTALACION  
EL Εγκατάσταση



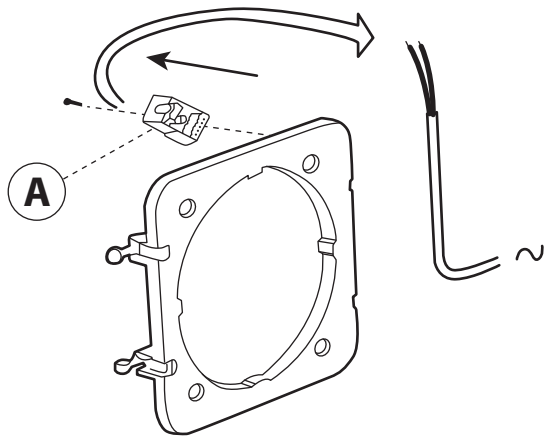
Mod.  
VENTILOR 25/10  
VENTILOR 20/8  
225/235  
275/285  
A mm  
200  
220  
B mm



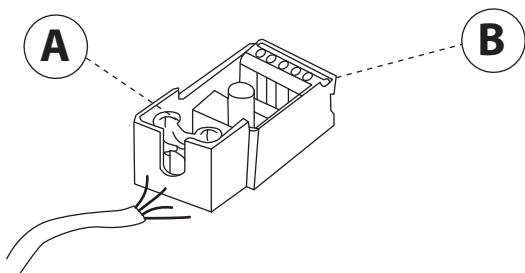
IT ASPIRATORE DA VETRO/MURO  
EN GLASS/WALL FAN  
FR AÉRATEUR POUR FENÊTRE/MUR  
DE SCHEIBEN-/WAND VENTILATOR  
NL RAAM/MUR VENTILATOR  
DA VINDUES/VÆG VENTILATOR  
ES VENTILADOR DE VENTANA/PARED  
EL Εξαεριστήρας τζακιού/τοιχίου

VENTILOR 20/8

3A

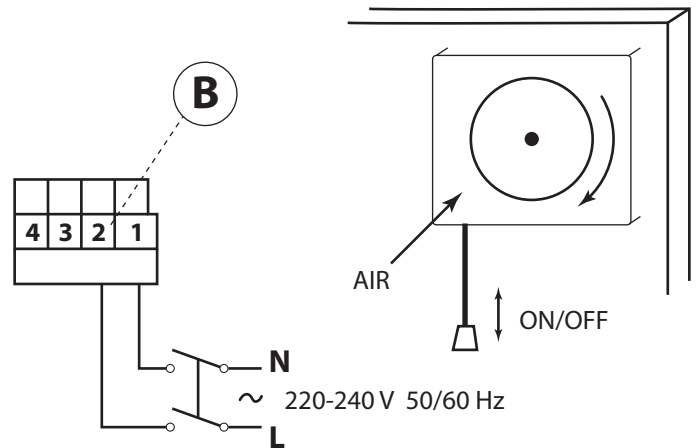


4A



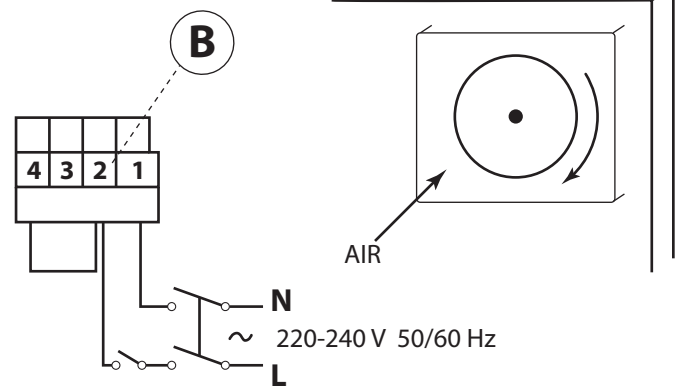
VENTILOR 20/8 M

5A



VENTILOR 20/8 AR -25/10 AR

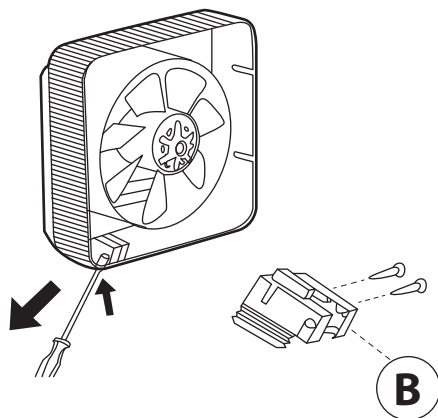
5B



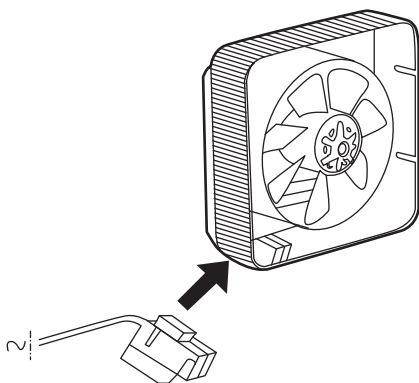
SOLO ASPIRAZIONE - EXTRACT ONLY

VENTILOR 25/10

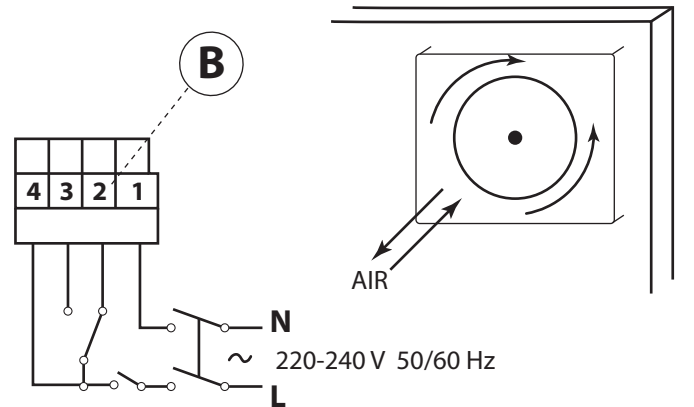
3B



4B



5C



ASPIRAZIONE/VENTILAZIONE - EXTRACT/INTAKE

VENTILOR 20/8 AR -25/10 AR + RG 5 AR

5D

